

Innovative Ultra-compact Fanless POS terminal

All-in-one touch POS terminal designed for retail and hospitality business sectors, ideally for space-limited applications.

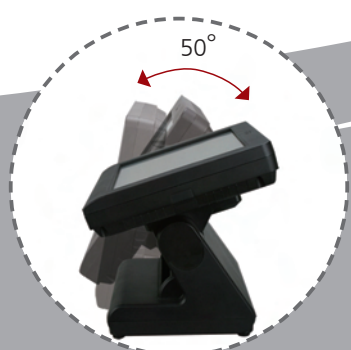
X-POS 722



Optional MSR and
support front panel
IP55 protection



Robust aluminum housing



Wide tilt angle 17°~67°

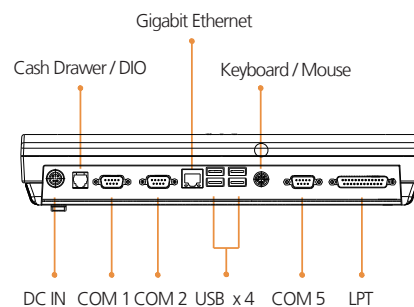
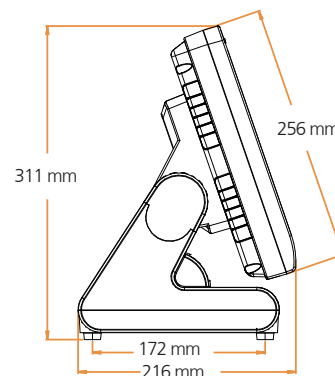
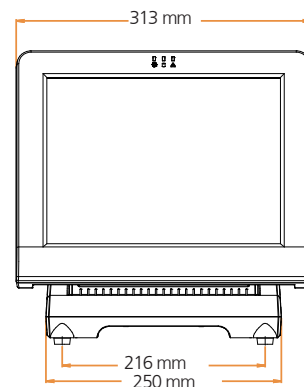


Ultra compact footprint

Specifications

Model Name	X-POS 722	
Main Board	CPU	Intel® Atom™ Processor N270 1.6GHz
	Core Logic	Intel 945GSE / ICH7-M
	System Memory	SO-DIMM DDR2, 128MB up to 2GB
	OS Support	Windows® XP / XPe, WEPOS, WinCE*, POSReady, Vista, Linux*
Display	TFT LCD Size	12.1"
	Brightness	400 nits
	Resolution	800 x 600
	Touch Screen	5 wire resistive type
	Tilt Angle	17°~67°
Storage Device	DOM	1 x IDE
	HDD	1 x 2.5" HDD Drive Bay
	Compact Flash	1 x slot compact flash typell
I/O Ports	Serial	3 x RS-232 COM 1 : RS-232/422/485, DB-9, Pin9 w/ RI/5V/12V Selectable by BIOS COM 2 / 5 : DB-9, Pin9 w/ RI/5V/12V Selectable by BIOS
	Parallel	1 x DB25
	USB	4 x USB 2.0
	PS/2 Keyboard / Mouse	1 x Mini-DIN
	LAN	1 x Gigabit Ethernet by RJ-45 , Support Wake on LAN
	Cash Drawer	1 x RJ11 (12VDC)
	Audio	2W Speaker x 2
	VGA	1 x Internal pin header
	Wall mount	Support VESA Mount
	Power Input	External adapter,80Watt, 12VDC input
Others	Color	Black
	Material	Plastic / Aluminum
	EMC& Safety Compliance	FCC / CE / WEEE / RoHS
	Weight	5.5 Kgs
	Dimension	313W x 216D x 311H (mm)
	Operating Temperature	0°C ~ 35°C
	Storage Temperature	-20°C ~ 60°C
	Humidity	20% - 80% RH, non-condensing

* Please contact supplier for detail information.



Ordering information

Main Unit

Part No.	Description
XPOS72-2B-A16G	Fanless Touch POS Terminal w/ 12.1" TFT LCD, Intel® ATOM™ N270 1.6GHz CPU

Optional Accessories

Part No.	Description
A0400835	MSR: 3 Tracks, PS/2 Type
A0400743	Customer display: VFD Pole, 20 columns x 2 lines, RS-232 Type
20600018	Compact Flash: 512MB
20600005	Compact Flash: 1GB
20600023	Compact Flash: 2GB
20600024	Compact Flash: 4GB
20600033	Compact Flash: 8GB
20900001	OS License: Windows XP Professional, English Version
20900002	OS License: WEPOS, English Version
20900021	OS License: Windows Embedded POSReady, English Version
20300021	Memory: DDR2-667, 512MB, 200PIN, SO-DIMM
20300023	Memory: DDR2-667, 1GB, 200PIN, SO-DIMM
20300024	Memory: DDR2-667, 2GB, 200PIN, SO-DIMM
20200023	2.5" Slim Type HD: 160GB SATA Type

Specifications are subject to change without notice. Issue Date: 2010 / 01

EBN
EBN Technology Corp.

EBN Technology Corp.

10F, No. 90, Sec. 1, Sintai 5th Rd., Sijhih City,
Taipei County 221, Taiwan
TEL : +886-2-2696 9292
FAX : +886-2-2696 9393
E-mail : sales@ebn-pos.com
www.ebn-pos.com