

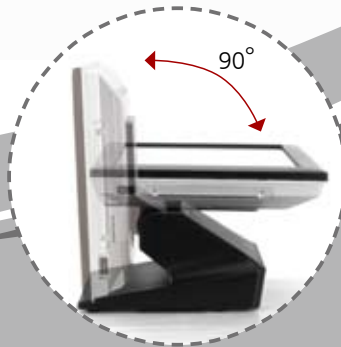
The Latest Dual Core Fanless POS Terminal

High performance & power saving touch POS terminal with small footprint empower high technique operation application

X-POS 850



Easy maintenance



0°~90° folding angle adjustable, easy for storage and installation



Hidden power adapter design and ultra small footprint fits into various space-limited installations

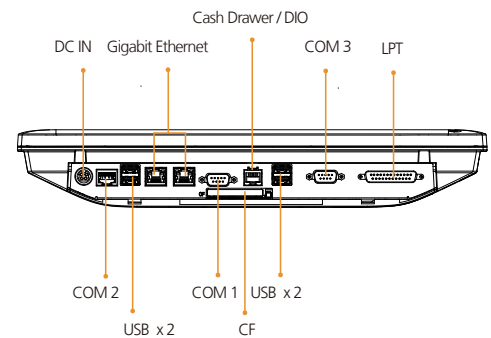
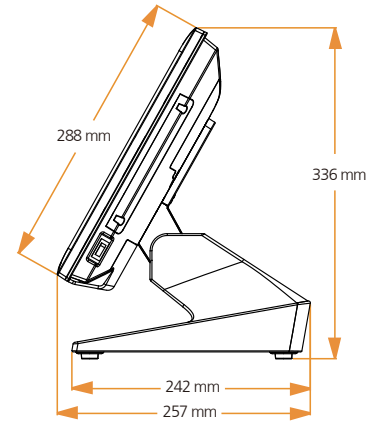
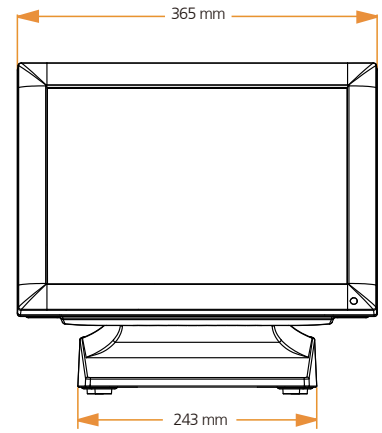


Support iButton, RFID, MSR and front panel IP 65 protection

Specifications

Model Name	X-POS 850	
Main Board	CPU	Intel® Atom™ Processor D510
	Core Logic	Intel® ICH8-M
	System Memory	1 x 200 Pin DDR2 SO-DIMM Socket, 512MB up to 2GB
	OS Support	Windows® XP/ XPe/ WES, WEPOS, POSReady, WinCE*, Windows® 7*, Linux*, DOS 6.22
Display	TFT LCD Size	15"
	Brightness	250 nits
	Resolution	1024 x 768
	Touch Screen	5 wire resistive type
	Tilt Angle	0°~90°
Storage Device	DOM	1 x IDE, 2 x SATA
	HDD	1 x 2.5" HDD Drive Bay
	Compact Flash	1 x slot compact flash typell
I/O Ports	Serial	6 x RS-232 Pin9 ,w/ RI/5V/12V Selectable by BIOS COM 1 : RS-232/422/485, DB-9 COM 2 : RS232 , RJ45 10 pins COM 3 : RS232 , DB-9 COM 4 : RS232 , Internal pin header for Customer Display COM 5 : RS232 , Internal 15-Pin header with PS/2 COM 6 : RS232 , Internal pin header
	Parallel	1 x DB25
	USB	4 x USB 2.0
	LAN	2 x Gigabit Ethernet by RJ-45 , Support Wake on LAN
	Cash Drawer	1 x RJ11 (24VDC)
	Audio	2W Speaker x 2
	Expansion	1 x Mini PCIe
	Wall mount	Support VESA Mount
	Power Input	External adapter, 135Watt, 19VDC input
	UPS Power Backup(Optional)	Support Smart Battery 4P1S backup function
Others	Color	Black / Silver
	Material	Plastic / Aluminum
	EMC& Safety Compliance	FCC / CE / WEEE / RoHS / CCC / CB
	Front Panel Protection	IP 65 compliance
	Dimension	365W x 257D x 336H (mm)
	Weight	6.43 Kgs
	Operating Temperature	0°C ~ 35°C
	Storage Temperature	-20°C ~ 60°C
	Humidity	20% - 80% RH, non-condensing

* Please contact supplier for detail information.



Ordering information

Main Unit

Part No.	Description
XPOS80-5B-D510	Fanless Touch POS Terminal w/ 15" TFT LCD, Intel® ATOM™ D510 CPU

Optional Accessories

Part No.	Description
LCM202J-B-AT	Customer display: LCM Attached, 20 columns x 2 lines, RS-232 Type
VFD202E-B-AT	Customer display: VFD Attached, 20 columns x 2 lines, RS-232 Type
VFD202N-B-AT	Customer display: VFD Attached, 20 columns x 2 lines, RS-232 Type, Support 2 Bytes character
LCM202J-B-PL	Customer display: LCM pole, 20 columns x 2 lines, RS-232 Type
VFD202E-B-PL	Customer display: VFD pole, 20 columns x 2 lines, RS-232 Type
VFD202N-B-PL	Customer display: VFD pole, 20 columns x 2 lines, RS-232 Type, Support 2 Bytes character
Z0500002	MSR-Front Type, 3 Tracks, PS/2 Type
Z0500004	MSR-Side Type, 3 Tracks, PS/2 Type & Finger Print, USB Type
Z0500005	MSR-Side Type, 3 Tracks, PS/2 Type & i-Button, PS/2 Type
Z0500006	MSR-Side Type, 3 Tracks, PS/2 Type & RFID, USB Type
Z0500007	MSR-Side Type, 3 Tracks, PS/2 Type & i-Button, RFID, USB Type
A0400884	Battery:14.4V, 2400mA, 4P1S Cell
A0400807	Wireless LAN: IEEE 802.11 B/G, USB Type
Z0600022	Compact Flash: 1GB
Z0600034	Compact Flash: 2GB
Z0600035	Compact Flash: 4GB
Z0600033	Compact Flash: 8GB

Part No.	Description
Z0900001	OS License: Windows XP Professional, English Version
Z0900002	OS License: WEPOS, English Version
Z0900021	OS License: Windows Embedded POSReady, English Version
Z0300021	Memory: DDR2-667, 512MB, 200PIN, SO-DIMM
Z0300023	Memory: DDR2-667, 1GB, 200PIN, SO-DIMM
Z0300024	Memory: DDR2-667, 2GB, 200PIN, SO-DIMM
Z0200028	2.5" Slim Type HDD: 160GB SATA II Type

Specifications are subject to change without notice. Issue Date: 2010 / 10

EBN

EBN Technology Corp.

EBN Technology Corp.

10F, No. 90, Sec. 1, Sintai 5th Rd., Sijhih City,

Taipei County 221, Taiwan

TEL : +886-2-2696 9292

FAX : +886-2-2696 9393

E-mail : sales@ebn-pos.com

www.ebn-pos.com